

SOMATE



Barcode Scanner

SL2100 Laser · Long Range

- **Scan Rate : 90 scans/sec**
- **Resolution : 3 mil**
- **1.5 m shock approval**
- **Ergonomic design**
- **Application : retail, office, medical, warehouse, inventory control, and etc.**

Aggressive scanning performance for fast and accurate data entry application.

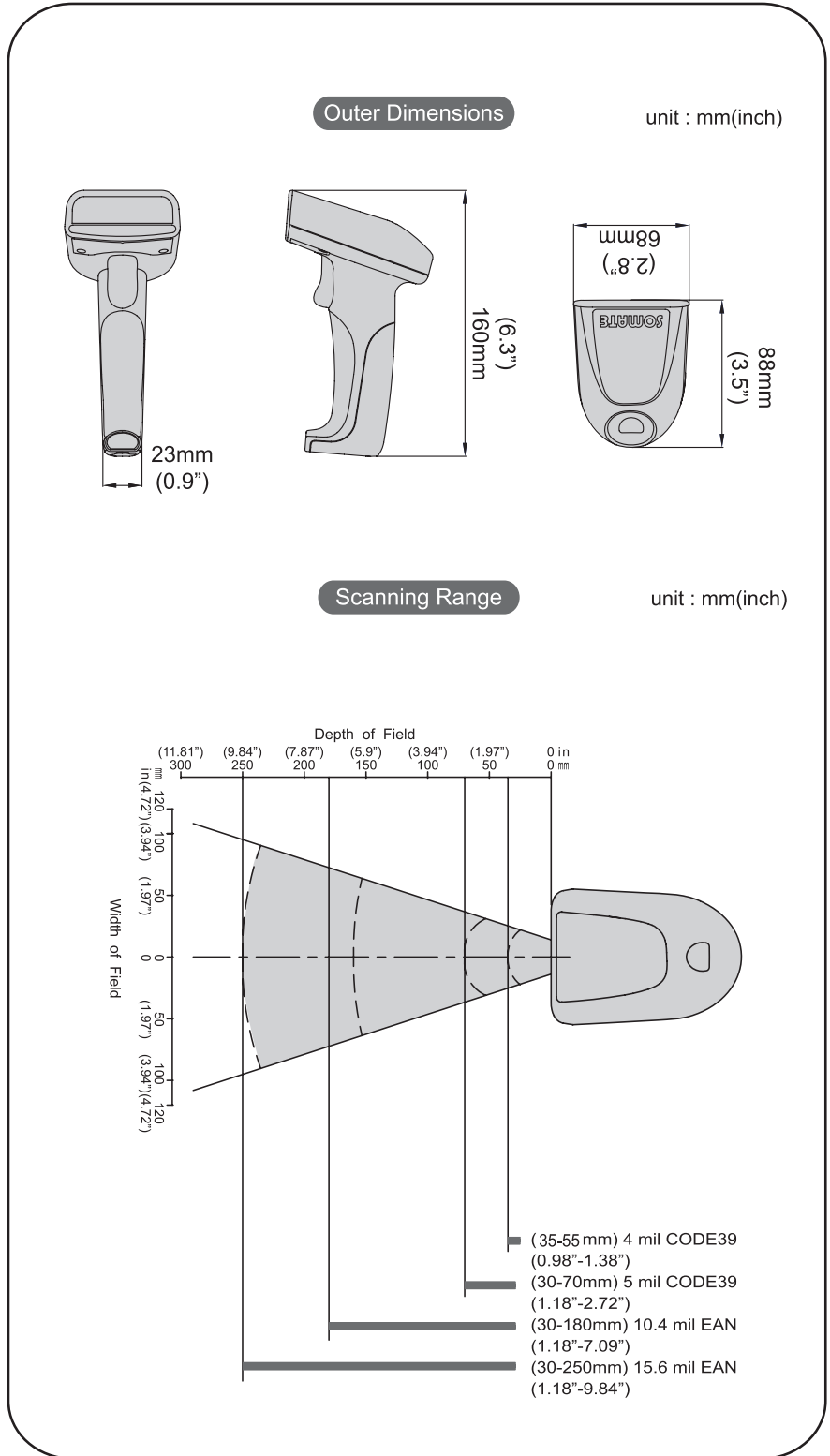
SL2100

Long Range Laser Barcode Scanner



SL2100 TECHNICAL SPECIFICATIONS

MODEL	SL2100 Laser Scanner
PERFORMANCE	
Light source	Laser diode: 650 nm
Sensor (pixels)	Laser Engine RE290
Depth of Field	35-55 mm (CODE-39 4mil)
Best Resolution	0.1 mm (3 mil)
PCS	0.9 (Min)
Scan Rate	90 scans / second
Largest Readable Label Width (Code 39, 1 mm Code(40 mil))	230 mm / 0.9
Sunlight	3000Lux / Max (Fluorescent Light)
MECHANICAL	
Dimension	L160 x W69 x H88 mm
Weight(With Cable)	210 ±20% g
ELECTRICAL	
Operating Voltage	5V DC±5%
POWER CONSUMPTION	
Standby Current	< 65 mA
Working Current	< 135 mA
Surge Power	< 850 mA (PS/2) < 1000 mA (USB) < 950 mA (RS232)
ENVIRONMENTAL	
Operating Temperature	0°C to 50°C
Storage Temperature	-20°C to 60°C
Relative Humidity	20%RH ~ 85%RH(non-condensing)
Mechanical Shock (Drop onto concrete)	1.5 m
ESD Protection	Functional after 4KV Contact, 8KV discharge
EMC	FCC class B and CE approval
Interfaces Supported	USB / Keyboard Wedge / RS232
Warranty	1 Year
SYMBOLOGIES	
Symbologies	UPC-A/UPC-E, EAN-8/EAN-13, Industrial 2 of 5, Codabar, Matrix 2 of 5, Code 11, Code 93, Code 32, Code 128, Standard Code 39, Full ASCII Code 39, Interleaved 2 of 5, China Postal Code, MSI Plessey Code, UK Plessey code, EAN/UCC 128, Telepen Code, IATA Code, RSS code



※ 1 3 mil high density is available on request.
 ※ 2 All product Specifications are subject to change without notice.
 ※ © Oct. 2008. ARKTECH LTD. All Rights Reserved.